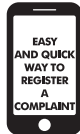


- 5) The warranty doesn't apply to:
- a) Plastic parts, rubber parts, Shaft Blade & Main Cord.
  - b) Normal wear and tear of the products and parts.
  - c) Damage in motor due to water contamination.
  - d) Damages resulting from accidents, mishandling, improper usage, negligence on the part of consumer.
  - e) Fluctuation in the supply voltage or usage of any power supply other than as specified on the Box.
  - f) For humming sound generated by the motor.
  - g) Compliant not registered at the Customer care centre of the Company by way of phone call, email or service app within the warranty period.

WARRANTY CARD
<b>Model No</b>
<b>Serial No.</b> .....
<b>C.M.No.</b> ..... <b>Date of Sale</b> .....
<b>Owner's Name and Address</b> .....
.....
.....
<b>AUTHORISED DEALER/FRANCHISEE</b>

COMPANY'S AUTHORISED PRICE LIST FOR SPARES AVAILABLE WITH SERVICE FRANCHISEE

Bis Website:- <http://www.bis.gov.in>



**MAHARAJA SERVICE APP**

[www.maharajawhiteline.com](http://www.maharajawhiteline.com)

Follow us on :

**Marketed by:**

Groupe SEB India (P) Ltd.

C-67, 3rd Floor,

DDA Sheds, Okhla Phase1, New Delhi-110020, India

**For customer feedback and complaints, please contact:**

**Service Executive :**

Groupe SEB India (P) Ltd.

C-67, 3rd Floor,

DDA Sheds, Okhla Phase1, New Delhi-110020, India

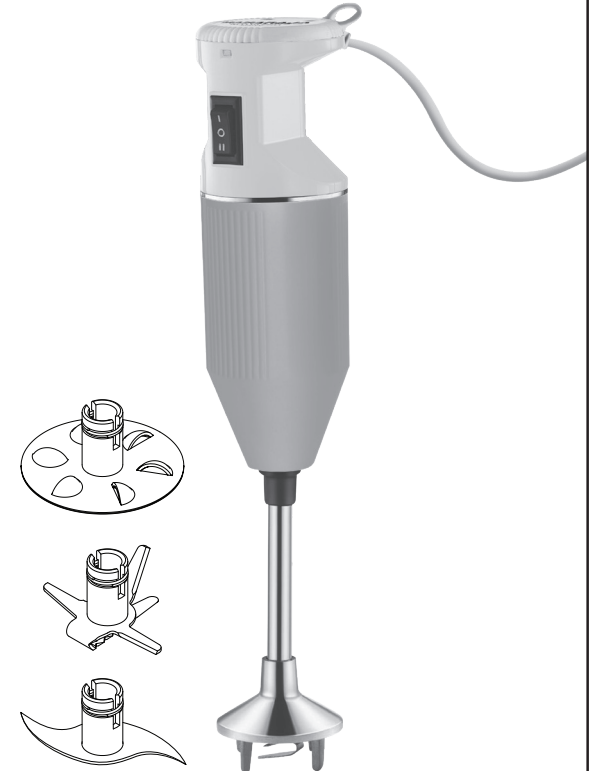
Tel : 011- 43684999, 8860555777

e-mail: [maharajacare@gropeseb.com](mailto:maharajacare@gropeseb.com)

*\*\*Maharaja Whiteline' is registered trademark of Groupe SEB India Pvt Limited.*

# MAHARAJA<sup>®</sup>

## — WHITELINE —

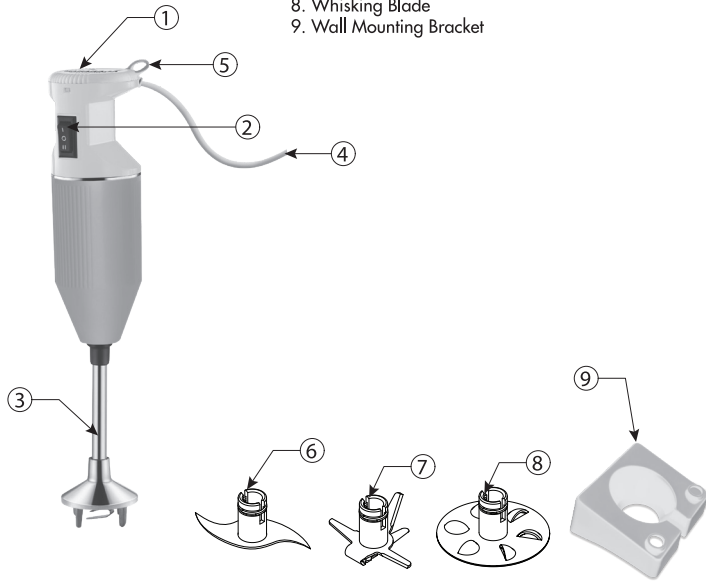


**Torsio+**  
Hand Blender

## INSTRUCTION MANUAL

## GENERAL DESCRIPTION

1. Top Cover
2. Speed Selector Switch
3. Blender Metal Shaft
4. Power Cord
5. Hang Loop
6. Chopping Blade
7. Blending Blade
8. Whisking Blade
9. Wall Mounting Bracket



## TECHNICAL SPECIFICATIONS

Voltage	230V AC 50Hz
Wattage	250W
No Load RPM	17500 max.
Speed Control	Speed Selector Switch (Double Speed)
Protection	Class II
Rating	1 Minute Max.

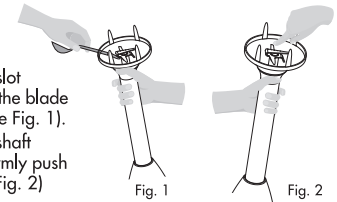
## TROUBLE SHOOTING

PROBLEM	CAUSE	SOLUTION
The appliance does not switch on.	No electricity supply.	Ensure that the plug is plugged well.
The ingredients are not blending.	More quantity of ingredients.	Reduce quantity of the ingredients.
	The ingredients are too large.	Cut them into smaller pieces.
	Using hard ingredients.	Remove the hard ingredients.
	The blade may be damaged.	Contact the service centre.
Abnormal noise occurs.	Using hard ingredients.	Remove the hard ingredients.
	The blade may be damaged.	Contact the service centre.
Heavy vibrations occur.	More quantity of ingredients.	Reduce quantity of the ingredients.
	The ingredients are too large.	Cut them into smaller pieces.
	Using hard ingredients.	Remove the hard ingredients.
	The blade may be damaged.	Contact the service centre.

## HOW TO ASSEMBLE BLADE

Ensure the appliance is unplugged from power supply before fixing /removing blade.  
To change/remove blade accessory:-

1. Hold the hand blender upside down.
2. Removing the blade- Put the end of the blade removing tool (Any spoon / spatula etc) from the cut slot and put it upward to remove the blade while holding the blade in position using a finger from the top (as shown in the Fig. 1).
3. To fix the blade- Place the blade at the end of the shaft while aligning the grooves with the projections and firmly push down using the flat edge of the tool (as shown in the Fig. 2) to fix the blade.



## FIRST USE

Before using for the first time, wash the Plastic foot/Metal foot and all of the accessories in hot water and detergent. Rinse and dry carefully.

### Mixer attachment

- Remove the food from the source of heat when mixing hot preparations. Do not hesitate to move the mixer attachment around in the food to get optimum results.
- Do not operate the appliance for more than 1 minute in continuation.
- Place the hand blender shaft in the mixture, immersing only the head, turn the appliance on and leave to blend.
- There is no need to pound the mixture to achieve a good result.

## SAFETY INSTRUCTIONS

Check that the voltage of your appliance indicated on its rating plate matches that of your electrical installation.

### Any incorrect connection invalidates the warranty.

- Always unplug the appliance from the electrical power supply if it is left unattended and when removing accessories or carrying out maintenance. This appliance is not intended for use by persons (including children) with reduced physical, sensory or mental capacities, or lack of experience and knowledge, unless they have been given supervision or instruction concerning use of the appliance by a person responsible for their safety. Children should be supervised to ensure that they do not play with the appliance.
- Do not touch the blade of the mixer attachment when the appliance is plugged in. Ensure that any ties, scarves and long hair do not come into contact with any moving parts of the appliance.
- Do not operate the mixer attachment when empty.
- Do not operate the mixer attachment with dry ingredients (walnuts, hazelnuts).
- Do not pull on the power cord to unplug it.
- Children should be supervised to ensure that they do not play with the blender.
- Do not touch the moving parts.
- Do not dismantle the appliance yourself. Simply carry out the usual care and cleaning steps as advised.
- For your safety, use only accessories and spare parts designed for your appliance.
- Care must be taken when handling sharp blades, emptying the bowl or cleaning.

### Changing the power cord

If the power cord or the plug is damaged, do not use the appliance. In order to avoid any danger, have them replaced by an approved Maharaja Service Centre.

This product has been designed for domestic use only. Any commercial use, inappropriate use or failure to comply with the instructions, the manufacturer accepts no responsibility and the guarantee will not apply.

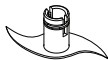
## BLADE ATTACHMENTS AND ITS USES



**The Whisking Blade:** Use the specially designed blade to whisk, whip, beat and aerate. Use low speed while whisking solids and high speed for whisking liquids.



**The Blending Blade:** The specially designed blade ensures efficient blending. It can also be used for chopping, liquidizing and mixing. Cut the ingredients into small pieces and place them in a container. Place the stem on top of the ingredients and work it around the container till you get the desired consistency. Please make sure that the container has a flat base.



**The Chopping Blade:** The specially designed 'S' blade is useful for all types of chopping.

## STANDARD RECIPES

INGREDIENTS	Quantity (Grams)	Time (Sec.)
Baby Foods	100 to 300	30 - 60
Shake, Lassi and Mixed Drinks	100 to 300	20 - 60
Soups and Cooked Dal	200 to 300	30 - 60
Tomato Puree	200 to 300	40 - 60
Curd Whipping	200 to 300	40 - 60

## CLEANING

Always unplug the appliance from the electrical power supply before cleaning.

- Do not immerse the motor unit and Cover in water. Wipe it with a dry or slightly damp cloth.
- All of the accessories, except motor unit and Cover, can be washed in hot water or the dishwasher.
- Be careful when cleaning the blades, as they are very sharp.

## WARRANTY TERMS AND CONDITIONS

GRUPE SEB INDIA PVT LIMITED ("Company") warrants that the Company shall rectify any manufacturing defect in the Hand blender ("Product"), carry out such repair/replacement (as the case may be) free of charge during the warranty period of 2 (two) years. The Company shall in no event be replacing the product as a part of warranty unless and until there is an irreparable manufacturing defect in the product as decided by the technical team of the Company.

The period of availing warranty shall commence from the date of purchase as mentioned on the valid tax invoice or on Warranty card duly filled, signed & stamped by authorised dealer of the Company. The Company is not required to provide any services pertaining to the product after the expiry of said warranty period.

### TERMS AND CONDITIONS OF WARRANTY:

1. This warranty shall be valid only if the product shall be used only as per the guidelines provided in this instruction manual. The product is to be used only for domestic purpose and not for any commercial, rental or profit generating activities.
2. This warranty can only be availed by the first purchaser of the product and is not transferable and non-assignable.
3. The Customer is required to register the complaint with the Customer Care Centre of the Company by way of phone call, email or Service Mobile App.
4. The customer must present the valid warranty card or the valid tax invoice as a pre-condition before available the warranty for the product as well as any related spares in the absence of which the Company may refuse to provide any warranty services.
5. Any repair or replacement done on the Product or any parts of the product during the warranty period, will in no event extend the Warranty period. The Warranty period is limited as provided herein, irrespective of the period of the product was not in use, was not giving proper performance, was under breakdown or was under repair by Company's authorised service centre.
6. The Company/its Authorised Service Centre reserves the right to retain any part/component/product replaced. The Company shall have exclusive right to replace the defective/unserviceable parts with the parts which may be new or refurbished free of charge during the warranty period.
7. Any repair or replacement carried out on the product or any part thereof by anyone other than authorised service centre, shall make this warranty void.
8. The Company shall provide Door-step service during the Warranty period. However, if the Product is located outside the municipal limits and serviceable area of Company's Authorised Service Centre, in such rare event the Company may refuse to provide Door-Step service and the Customer shall be required to bring the Product at the designated Service Centre of the Company or some other location within the municipal limits, at its own cost and expenses.
9. In case of any doubt regarding any conditions mentioned on this warranty card, including but not limited to authenticity of the Product, tax invoice, warranty card, part of the product etc, the decision of the Company shall be final and binding on the Customer.
10. The warranty is issued at New Delhi and courts at New Delhi shall have sole jurisdiction over matters covered or flowing from this warranty.
11. The Company shall not be liable for any indirect, special, consequential, special, incidental, punitive, exemplary or economical damage or loss. The Company's liability under or in relation to this warranty shall be limited to the purchase price paid by the Customer as per valid tax invoice.

### THIS WARRANTY IS NOT APPLICABLE IN ANY OF THE FOLLOWING CASES:

- 1) The signed & stamped warranty card or the tax invoice is not presented to the service personnel at the time of claiming or availing the warranty.
- 2) The product installation, use or maintenance is not done as per the instructions given in this instruction manual or as per common sense/understanding of usage of hand blender for such actions which are not specifically stated in this Instruction Manual.
- 3) If the original serial number of the Product is removed, tempered or altered.
- 4) Violation of any warranty terms and conditions mentioned above.