

WARRANTY CARDModel No **HB-124** **HB-128**

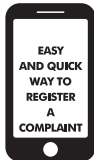
Serial No.

C.M.No. Date of Sale.....

Owner's Name and Address.....

AUTHORISED DEALER/FRANCHISEE

COMPANY'S AUTHORISED PRICE LIST FOR SPARES AVAILABLE WITH SERVICE FRANCHISEE

Bis Website:- <http://www.bis.gov.in>**MAHARAJA
SERVICE APP**www.maharajawhiteline.comFollow us on :    

IS:302(Pt 2 / sec 14)



CM/L-9600038212

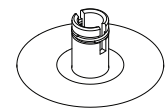
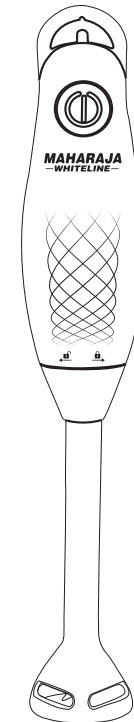
Marketed by:
Groupe SEB India (P) Ltd.
C-67, 3rd Floor,
DDA Sheds, Okhla Phase1, New Delhi-110020, India

**For customer feedback and complaints,
please contact:**

Service Executive :
Groupe SEB India (P) Ltd.
C-67, 3rd Floor,
DDA Sheds, Okhla Phase1, New Delhi-110020, India
Tel : 011-43684999, 011-33684999,  011- 43684999
e-mail:maharajacare@groupeseb.com



*Maharaja Whiteline' is registered trademark of Groupe SEB India Pvt Limited.

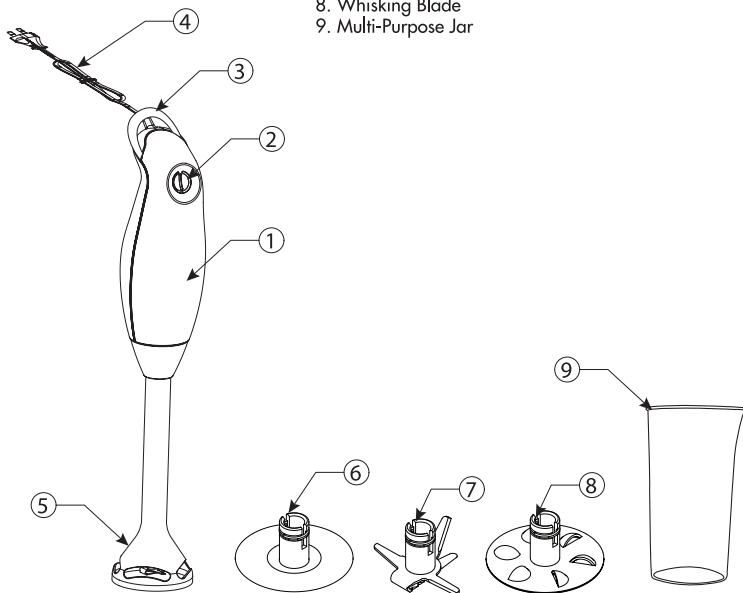
MAHARAJA[®]
—WHITELINE—

infinimix series
Hand Blender

INSTRUCTION MANUAL

GENERAL DESCRIPTION

1. Power unit: Containing motor, Power button and Power cord.
2. Power Button: To switch On/Off
3. Hanging loop
4. Power Plug
5. Metal blade guard (Detachable)
6. Beater/Whipping Blade
7. Chopping Blade
8. Whisking Blade
9. Multi-Purpose Jar



TECHNICAL SPECIFICATIONS

Model No.	HB-124	HB-128
Voltage	240V AC 50 Hz	
Wattage	175W	150W
No Load RPM	20000 max.	
Speed Control	Push Button (Single Speed)	
Insulation	Class H	
Protection	Class II	
Rating	1 Minute Max.	
No. of Blades	3	3
Multi-Purpose Jar	Yes	No
Hanging Loop	Yes	Yes

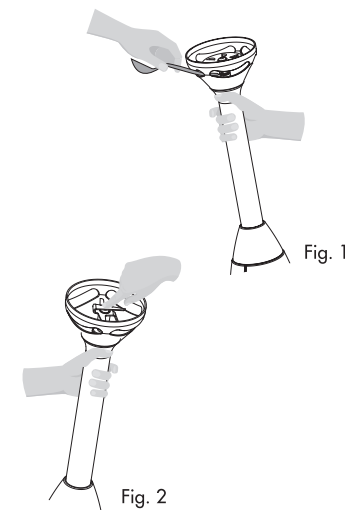
TROUBLE SHOOTING

PROBLEM	CAUSE	SOLUTION
The appliance does not switch on.	No electricity supply.	Ensure that the plug is plugged well.
The ingredients are not blending.	More quantity of ingredients.	Reduce quantity of the ingredients.
	The ingredients are too large.	Cut them into smaller pieces.
	Using hard ingredients.	Remove the hard ingredients.
	The blade may be damaged.	Contact the service centre.
Abnormal noise occurs.	Using hard ingredients.	Remove the hard ingredients.
	The blade may be damaged.	Contact the service centre.
Heavy vibrations occur.	More quantity of ingredients.	Reduce quantity of the ingredients.
	The ingredients are too large.	Cut them into smaller pieces.
	Using hard ingredients.	Remove the hard ingredients.
	The blade may be damaged.	Contact the service centre.

HOW TO ASSEMBLE BLADE

Ensure the appliance is unplugged from power supply before fixing /removing blade.
To change/remove blade accessory:-

1. Hold the hand blender upside down.
2. Removing the blade- Put the end of the blade removing tool (Any spoon / spatula etc) from the cut slot and put it upward to remove the blade while holding the blade in position using a finger from the top (as shown in the Fig. 1).
3. To fix the blade- Place the blade at the end of the shaft while aligning the grooves with the projections and firmly push down using the flat edge of the tool (as shown in the Fig. 2) to fix the blade.



FIRST USE

Before using for the first time, wash the Plastic foot/Metal foot and all of the accessories in hot water and detergent. Rinse and dry carefully.

Mixer attachment

- Screw the mixer attachment onto the motor unit.
- The food ingredients you use must not be filled over 300ml mark of the multi-purpose jar to avoid over flow / heat. The preparations must atleast cover the flared bottom of the mixer attachment to ensure that it operates efficiently.
- Remove the food from the source of heat when mixing hot preparations. Do not hesitate to move the mixer attachment around in the food to get optimum results.
- Do not operate the appliance for more than 20 seconds in continuation.
- Place the hand blender shaft in the mixture, immersing only the head, turn the appliance on and leave to blend.
- There is no need to pound the mixture to achieve a good result.

SAFETY INSTRUCTIONS

Check that the voltage of your appliance indicated on its rating plate matches that of your electrical installation.

Any incorrect connection invalidates the warranty.

- Always unplug the appliance from the electrical power supply if it is left unattended and when removing accessories or carrying out maintenance. This appliance is not intended for use by persons (including children) with reduced physical, sensory or mental capacities, or lack of experience and knowledge, unless they have been given supervision or instruction concerning use of the appliance by a person responsible for their safety. Children should be supervised to ensure that they do not play with the appliance.
- Do not touch the blade of the mixer attachment when the appliance is plugged in. Ensure that any ties, scarves and long hair do not come into contact with any moving parts of the appliance.
- Do not operate the mixer attachment when empty.
- Do not operate the mixer attachment with dry ingredients (walnuts, hazelnuts).
- Do not pull on the power cord to unplug it.
- Children should be supervised to ensure that they do not play with the blender.
- Do not touch the moving parts.
- Do not dismantle the appliance yourself. Simply carry out the usual care and cleaning steps as advised.
- For your safety, use only accessories and spare parts designed for your appliance.
- Care must be taken when handling sharp blades, emptying the bowl or cleaning.

Changing the power cord

If the power cord or the plug is damaged, do not use the appliance. In order to avoid any danger, have them replaced by an approved Maharaja Service Centre. This product has been designed for domestic use only. Any commercial use, inappropriate use or failure to comply with the instructions, the manufacturer accepts no responsibility and the guarantee will not apply.

STANDARD RECIPES

INGREDIENTS	Quantity (g)	Time (Sec.)
Shake and Carrot Chopping	100 to 300	30 - 60
Lassi and Mixed Drinks	100 to 300	20 - 60
Soups and Cooked Dal	200 to 300	30 - 60
Tomato Puree	200 to 300	40 - 60
Egg Whisking	4 Egg White	45 - 60
Curd Whipping	200 to 300	40 - 60

CLEANING

Always unplug the appliance from the electrical power supply before cleaning.

- Do not immerse the motor unit and Cover in water. Wipe it with a dry or slightly damp cloth.
- All of the accessories, except motor unit and Cover, can be washed in hot water or the dishwasher.
- Be careful when cleaning the blades, as they are very sharp.

WARRANTY TERMS AND CONDITIONS

The company offers 2 years motor warranty, for repairing or replacing parts, free of cost against defect in manufacturing functional part subject to the following terms and conditions.

1. This warranty is valid only if this card is duly signed and stamped by our dealer and is produced along with the original customer's copy of the purchase bill.
2. Warranty period starts from the date of purchase from our authorised dealer only.
3. The appliance has to be used with all normal care and maintenance and in accordance with instructions for use, recommended by the company, as enumerated in the instruction manual.
4. The appliance should not be repaired, tampered or altered by any agency or person other than an authorised company personnel or their service centres.
5. The Appliances subject to normal wear & tear, misuse, neglect, accident including technical breakdown etc. or non compliance of the instructions given in the instruction manual, improper installation is not covered by this warranty.
6. Plastic Parts, which are breakable, are not covered under this warranty.
7. The Appliance is meant for domestic use only.
8. The decision to repair or replacement of parts shall be at the sole discretion of the company. Unless the product part is non-repairable, replacement shall not be provided.
9. Parts repaired or replaced under this warranty are warranted only for the remainder of the original warranty period, that is no fresh warranty period shall commence for the said replace/repaired part.
10. Liability under terms of warranty is limited to the value of the repairs/replacement of the parts found to be defective within the warranty period. All parts that would have to be replaced shall become the property of the company.
11. The warranty shall not apply to replacement parts such as Carbon Brushes, Lid, Rubber Ring, Coupler, Shaft, Blades, Bush Handle & Main Cords.
12. The customer is responsible for bringing the defective product to the service centre/ manufacturer for servicing & collecting the same at his/ her own cost.
13. Under the terms of warranty, installation, free service will be provided only within the municipal limits of the cities/towns where the company has its branches or authorized representatives. Service outside the municipal limits specified above will be provided after charging the actual to and fro traveling and incidental expenses, as prevailing from time to time.
14. The decision of the company is final and binding on all matters arising out of this warranty.
15. This warranty is issued at Delhi, and courts at Delhi shall have exclusive jurisdiction over matters by or following from this warranty. In case of any dispute, arising out of this the same shall be settled by an Arbitrator, In accordance with the provisions of Arbitration and conciliation Act, 1996.